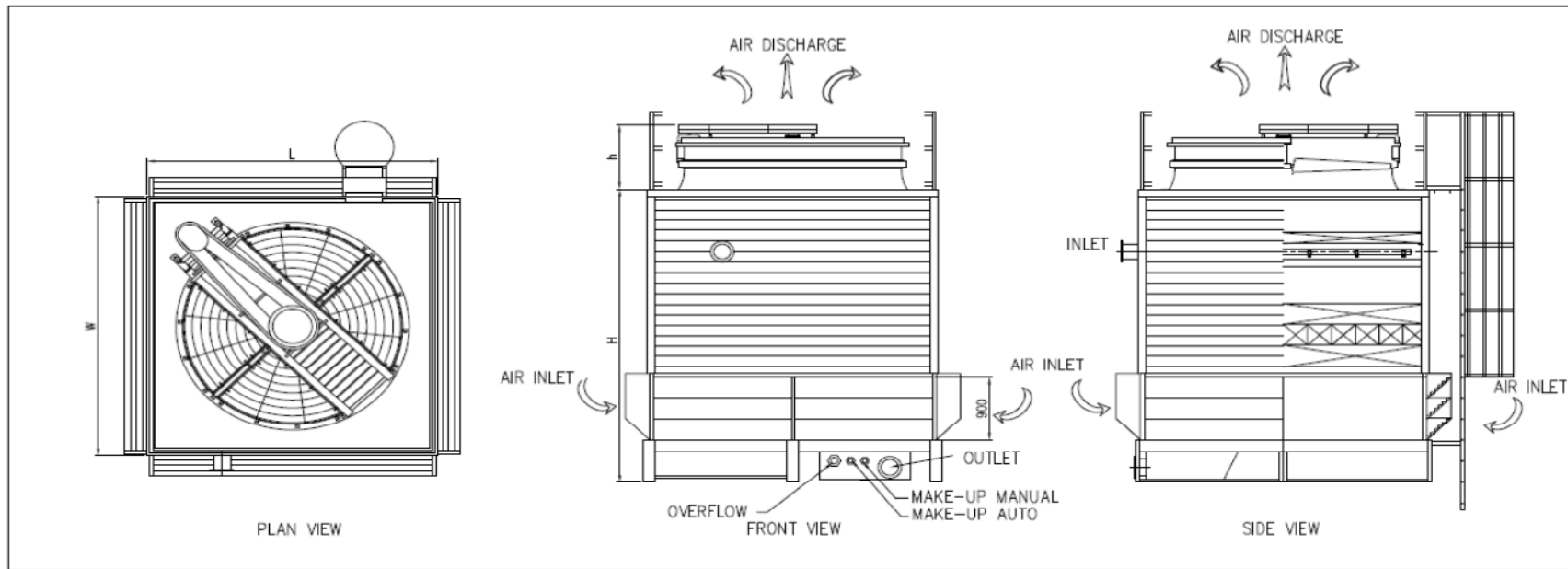


TC.EE SERIES RANGE

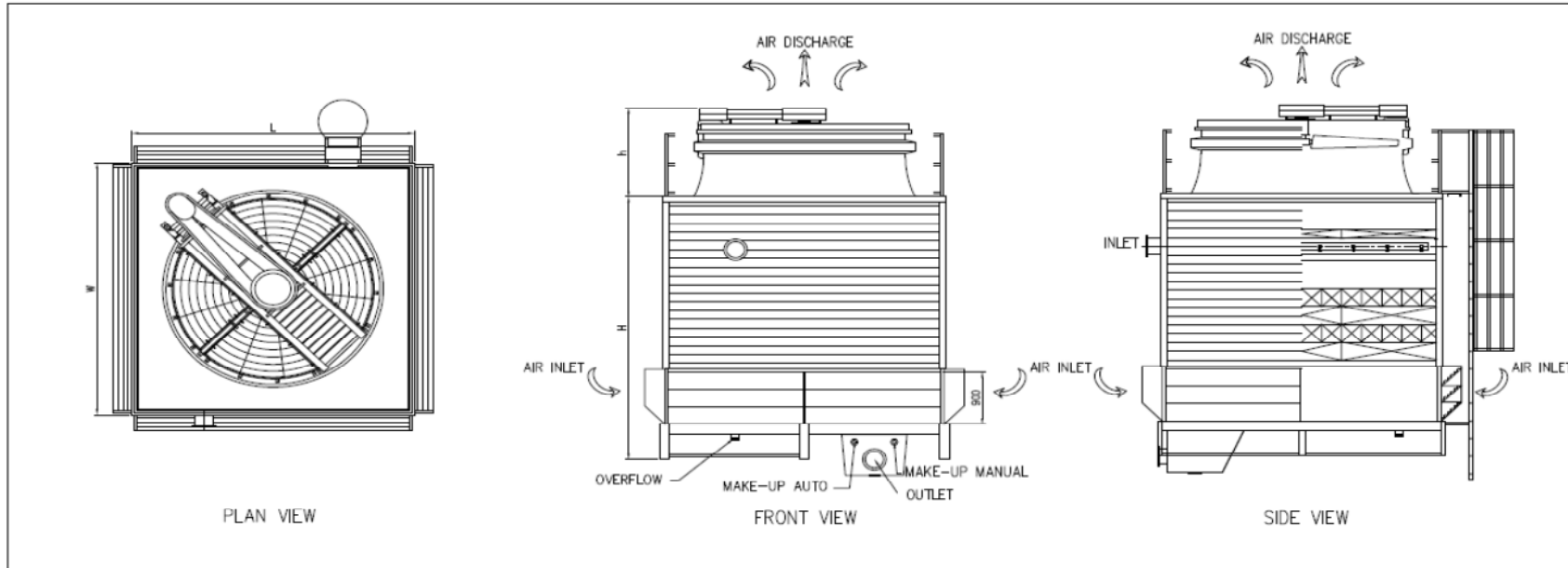


Tower Model	Nominal Tonnage	Motor	Fan dia	OVERALL DIMENSION (mm)					Piping Dimension (mm)				
		kW	(mm)	L	W	H	h	Air Inlet Height K	Water Inlet	Water Outlet	Overflow	Drain	Make Up Auto & Manual
TCS 1111B-250	218	5.5	2440	3410	3410	4200	920	900	200 x 1	200 x 1	80 x 1	50 x 1	50 x 1
TCS 1111C-300	243	7.5	2440						200 x 1	200 x 1	80 x 1	50 x 1	50 x 1
TCS 1111D-350	277	11	2440						200 x 1	200 x 1	80 x 1	50 x 1	50 x 1
TCS 1111E-400	307	15	2440						200 x 1	200 x 1	80 x 1	50 x 1	50 x 1
TCS 1212C-350	272	7.5	2745	3720	3720	4200	920	900	200 x 1	200 x 1	80 x 1	50 x 1	50 x 1
TCS 1212D-400	316	11	2745						200 x 1	200 x 1	80 x 1	50 x 1	50 x 1
TCS 1212E-450	348	15	2745						200 x 1	200 x 1	80 x 1	50 x 1	50 x 1
TCS 1212F-500	372	18.5	2745						200 x 1	200 x 1	80 x 1	50 x 1	50 x 1

Notes

1. One nominal tonnage represents a 3GPM (0.684 m³/hr) of water from a 95°F (35°C) to 85°F (29.4°C) at a 78°F (25.6°C) entering wet-bulb temperature.
2. If you need multi-cell towers, consult your local Truwater representative.

TC.EE SERIES RANGE

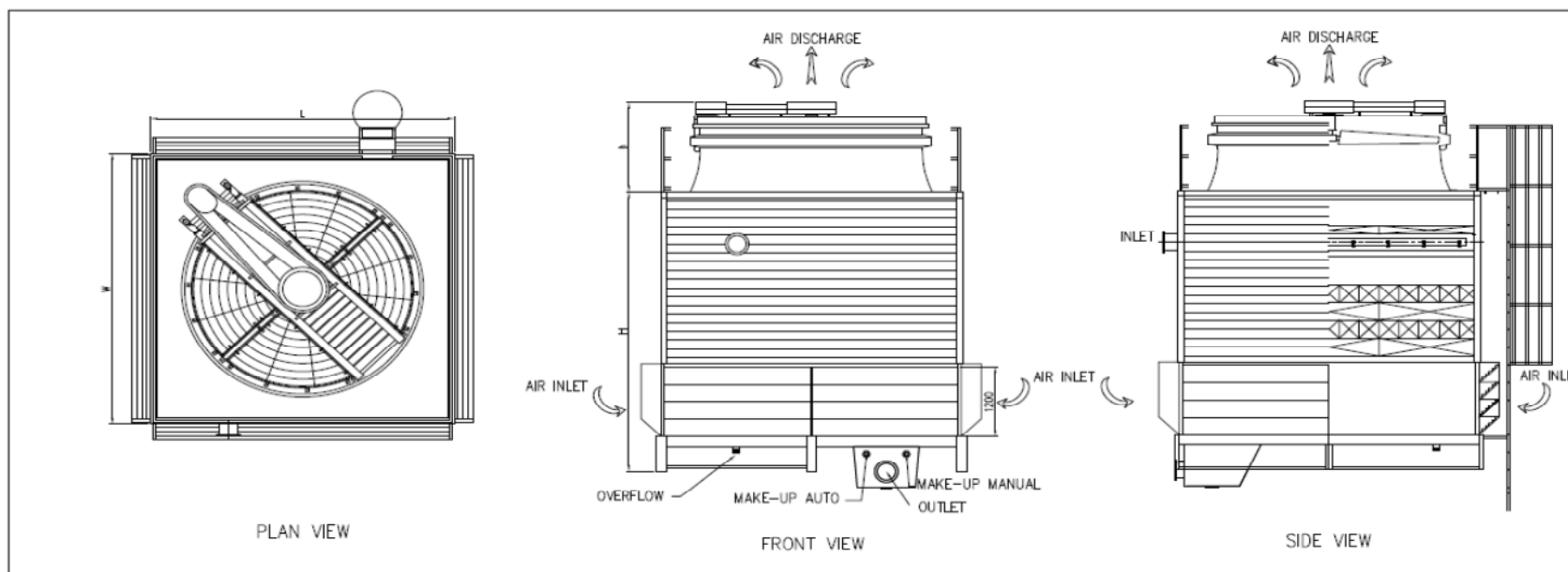


Tower Model	Normal Tonnage	Motor	Fan dia	OVERALL DIMENSION (mm)					Piping Dimension (mm)				
		kW	(mm)	L	W	H	h	Air Inlet Height K	Water Inlet	Water Outlet	Overflow	Drain	Make Up Auto & Manual
TCS 1313C-400	307	7.5	2745	4020	4020	4500	920	900	200 x 1	200 x 1	80 x 1	50 x 1	50 x 1
TCS 1313D-450	348	11	2745						200 x 1	200 x 1	80 x 1	50 x 1	50 x 1
TCS 1313E-500	387	15	2745						200 x 1	200 x 1	80 x 1	50 x 1	50 x 1
TCS 1313F-550	416	18.5	2745						250 x 1	250 x 1	100 x 1	80 x 1	50 x 1
TCS 1414B-400	307	5.5	3050	4330	4330	4500	920	900	250 x 1	250 x 1	100 x 1	80 x 1	50 x 1
TCS 1414C-450	341	7.5	3050						250 x 1	250 x 1	100 x 1	80 x 1	50 x 1
TCS 1414D-500	389	11	3050						250 x 1	250 x 1	100 x 1	80 x 1	50 x 1
TCS 1414E-550	430	15	3050						250 x 1	250 x 1	100 x 1	80 x 1	50 x 1
TCS 1414F-600	461	18.5	3050						250 x 1	250 x 1	100 x 1	80 x 1	50 x 1

Notes

1. One nominal tonnage represents a 3GPM (0.684 m³/hr) of water from a 95°F (35°C) to 85°F (29.4°C) at a 78°F (25.6°C) entering wet-bulb temperature.
2. If you need multi-cell towers, consult your local Truwater representative.

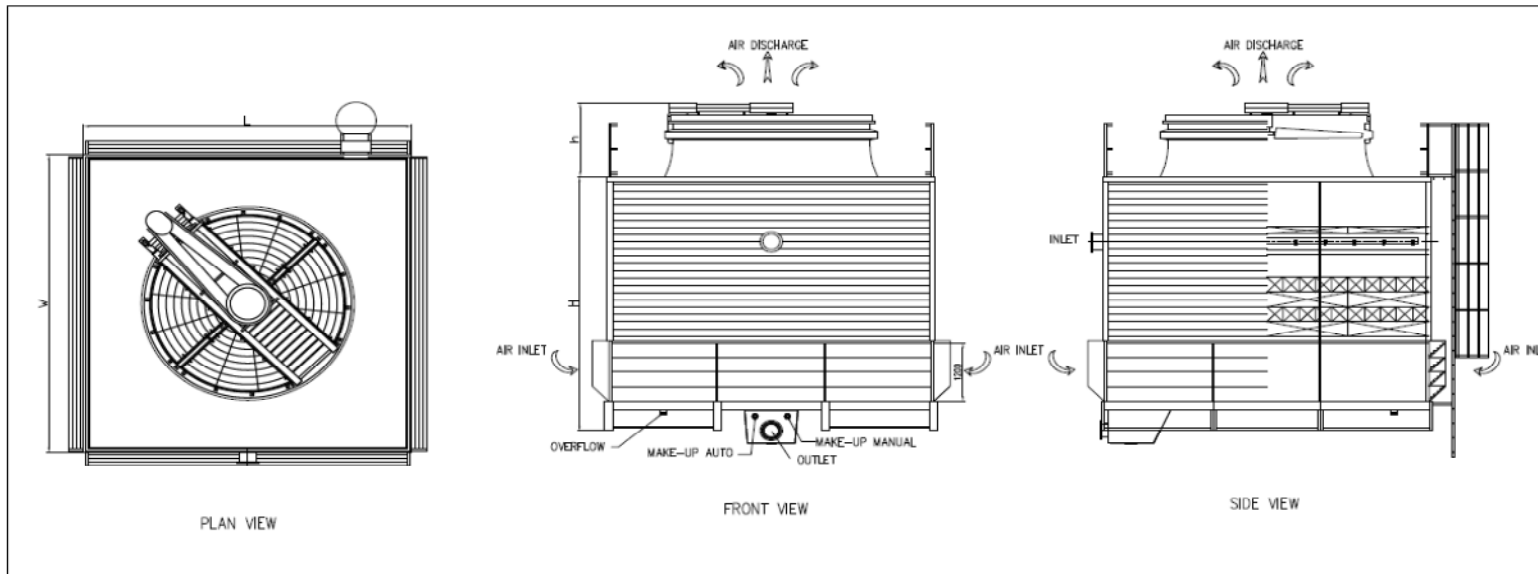
TC.EE SERIES RANGE



Tower Model	Nominal Tonnage	Motor	Fan dia	OVERALL DIMENSION (mm)					Piping Dimension (mm)				
		kW	(mm)	L	W	H	h	Air Inlet Height k	Water Inlet	Water Outlet	Overflow	Drain	Make Up Auto & Manual
TCS 1515D-550	436	11	3355	4630	4630	4800	920	1200	250 x 1	250 x 1	100 x 1	80 x 1	50 x 1
TCS 1515E-600	483	15	3355						250 x 1	250 x 1	100 x 1	80 x 1	50 x 1
TCS 1515F-650	518	18.5	3355						250 x 1	250 x 1	100 x 1	80 x 1	50 x 1
TCS 1515G- 700	548	22	3355						250 x 1	250 x 1	100 x 1	80 x 1	50 x 1

- Notes
1. One nominal tonnage represents a 3GPM (0.684 m³/hr) of water from a 95°F (35°C) to 85°F (29.4°C) at a 78°F (25.6°C) entering wet-bulb temperature.
 2. If you need multi-cell towers, consult your local Truwater representative.

TC.EE SERIES RANGE



Tower Model	Normal Tonnage	Motor	Fan dia	OVERALL DIMENSION (mm)					Piping Dimension (mm)				
		kW	(mm)	L	W	H	h	Air Inlet Height k	Water Inlet	Water Outlet	Overflow	Drain	Make Up Auto & Manual
TCS 1616D-600	486	11	3660	4940	4940	4800	920	1200	250 x 1	250 x 1	100 x 1	80 x 1	50 x 1
TCS 1616E-700	539	15	3660						250 x 1	250 x 1	100 x 1	80 x 1	50 x 1
TCS 1616G-750	611	22	3660						250 x 1	250 x 1	100 x 1	80 x 1	50 x 1
TCS 1616H-800	678	30	3660						300 x 1	300 x 1	100 x 1	80 x 1	50 x 1
TCS 1717E-750	561	15	3660	5240	5240	4800	1525	1200	250 x 1	250 x 1	100 x 1	80 x 1	50 x 1
TCS 1717F-800	601	18.5	3660						250 x 1	250 x 1	100 x 1	80 x 1	50 x 1
TCS 1717G-850	637	22	3660						300 x 1	300 x 1	100 x 1	80 x 1	50 x 1
TCS 1717H-900	706	30	3660						300 x 1	300 x 1	100 x 1	80 x 1	50 x 1
TCS 1717I-950	757	37	3660						300 x 1	300 x 1	100 x 1	80 x 1	50 x 1
TCS 1818E-800	591	15	3660	5550	5550	5250	1525	1200	250 x 1	250 x 1	100 x 1	80 x 1	50 x 1
TCS 1818F-850	634	18.5	3660						250 x 1	250 x 1	100 x 1	80 x 1	50 x 1
TCS 1818G-900	671	22	3660						250 x 1	250 x 1	100 x 1	80 x 1	50 x 1
TCS 1818H-950	743	30	3660						300 x 1	300 x 1	100 x 1	80 x 1	50 x 1
TCS 1818I-1000	800	37	3660						300 x 1	300 x 1	100 x 1	80 x 1	50 x 1
TCS 2020F-950	694	18.5	3660	6160	6160	5250	1525	1200	300 x 1	300 x 1	100 x 1	80 x 1	50 x 1
TCS 2020G-1000	735	22	3660						300 x 1	300 x 1	100 x 1	80 x 1	50 x 1
TCS 2020H-1100	817	30	3660						300 x 1	300 x 1	100 x 1	80 x 1	50 x 1
TCS 2020I-1150	876	37	3660						300 x 1	300 x 1	100 x 1	80 x 1	50 x 1
TCS 2020J-1250	935	45	3660						300 x 1	300 x 1	100 x 1	80 x 1	50 x 1

Notes

1. One nominal tonnage represents a 3GPM (0.684 m³/hr) of water from a 95°F (35°C) to 85°F (29.4°C) at a 78°F (25.6°C) entering wet-bulb temperature.
2. If you need multi-cell towers, consult your local Truwater representative.